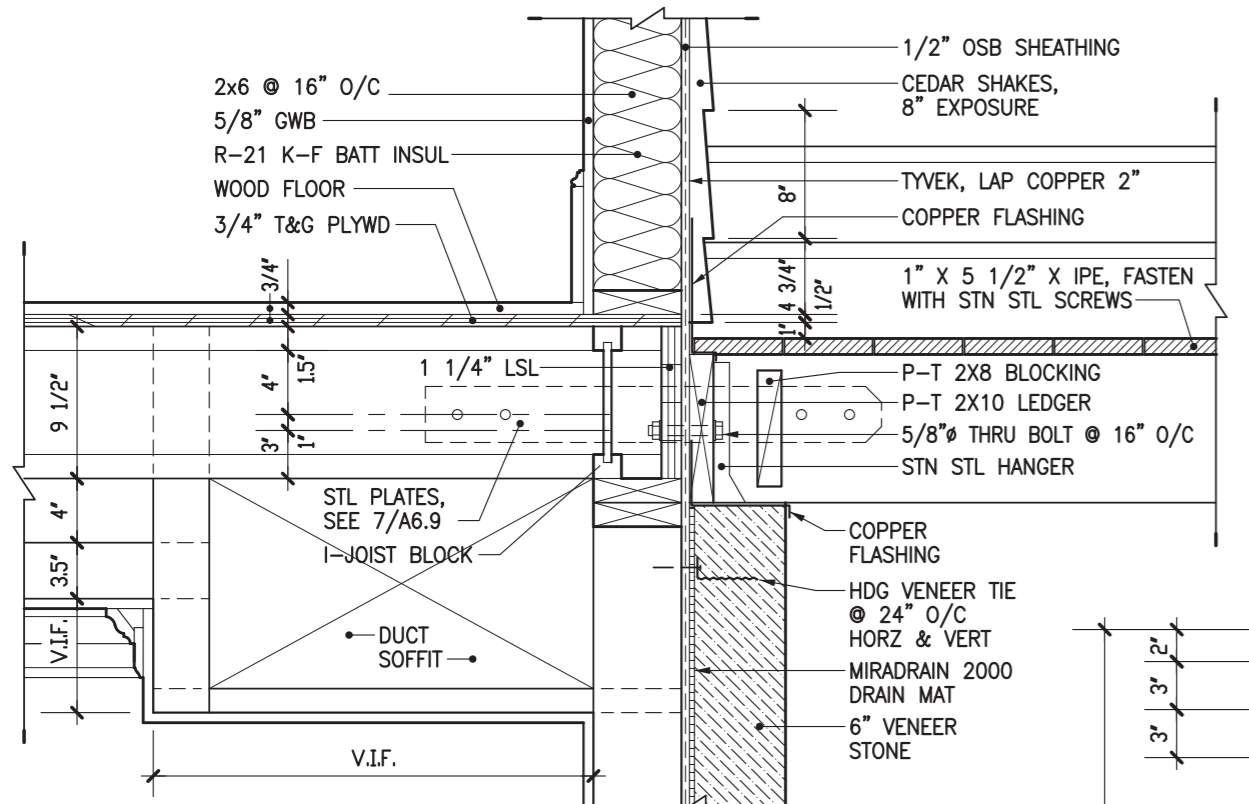
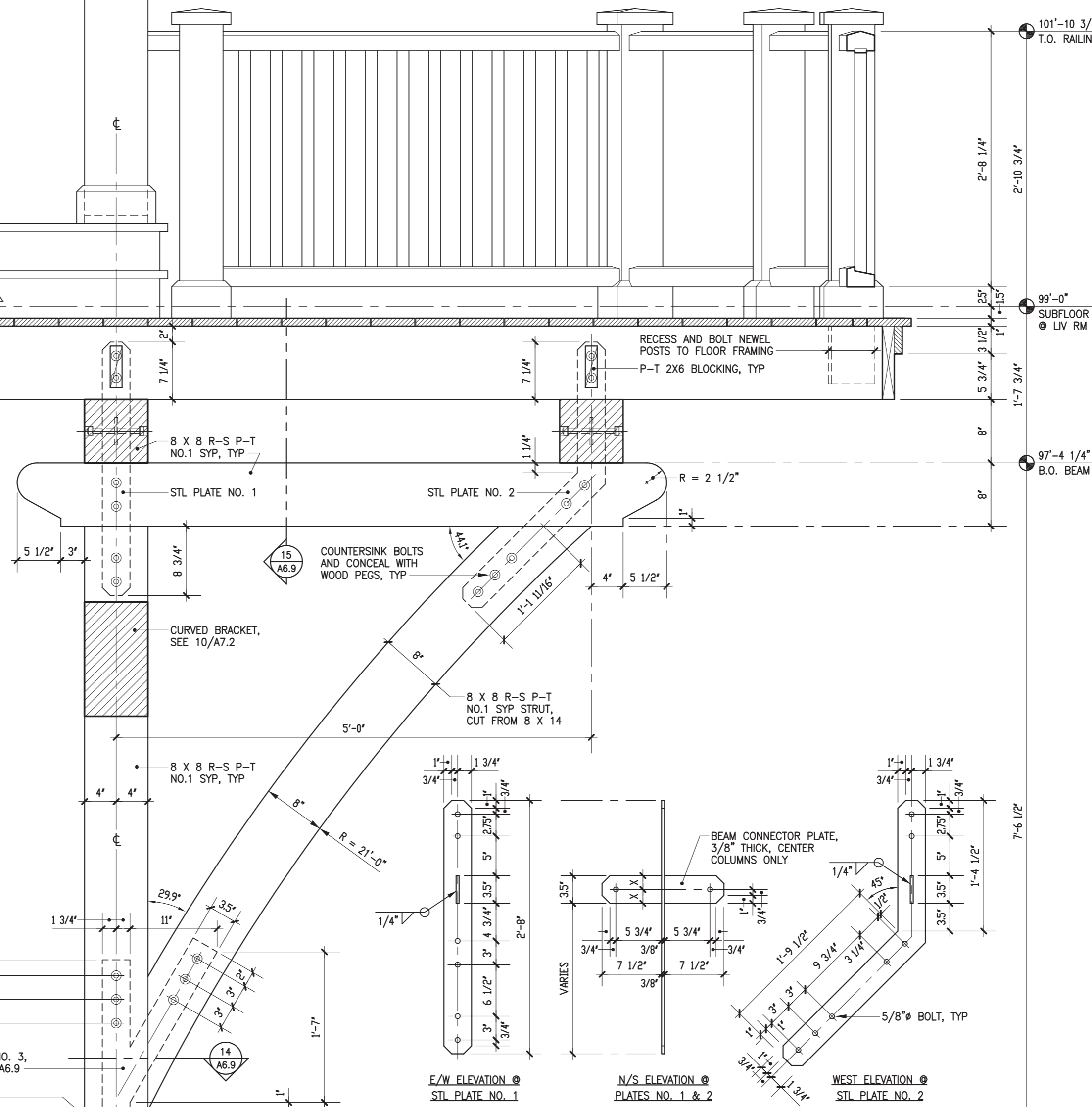


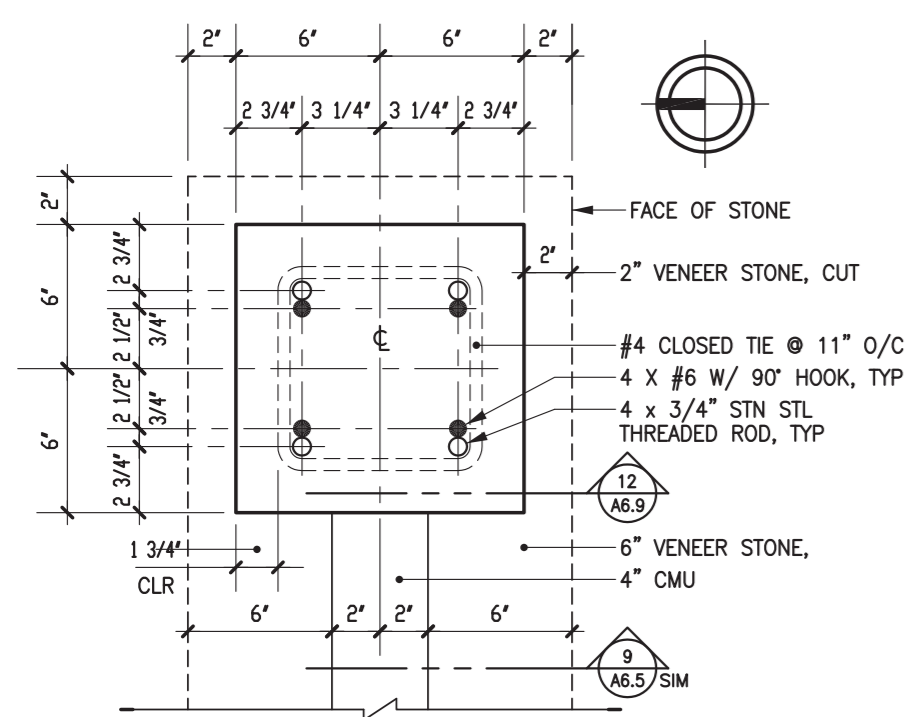
4 SECTION @ EXTERIOR WALL @ OPENING AND BEAM NO. B46
A6.9 SCALE: 1" = 1'-0"



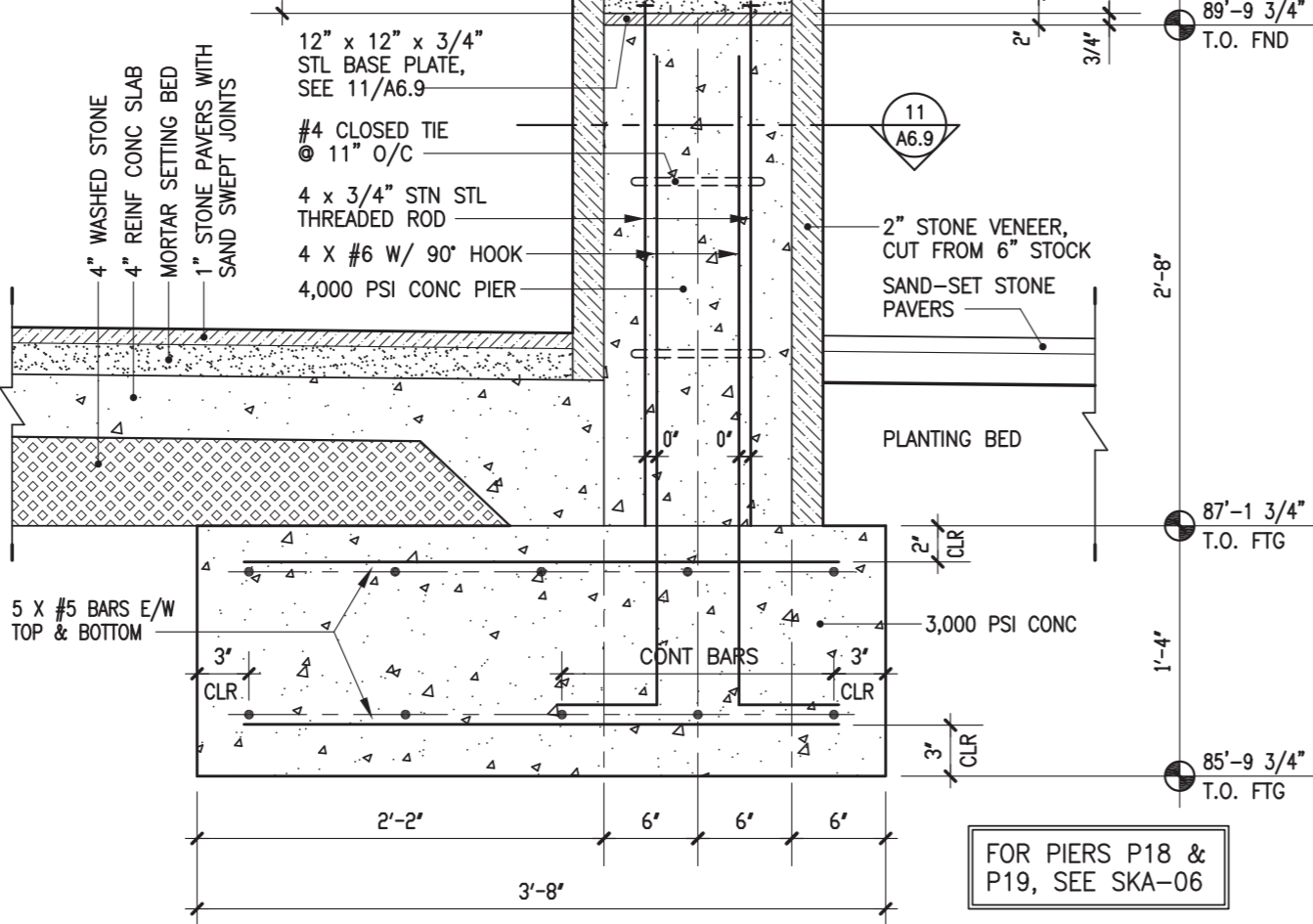
8 SECTION @ EXTERIOR WALL BEYOND OPENING (EAST & WEST)
A6.9 SCALE: 1" = 1'-0"



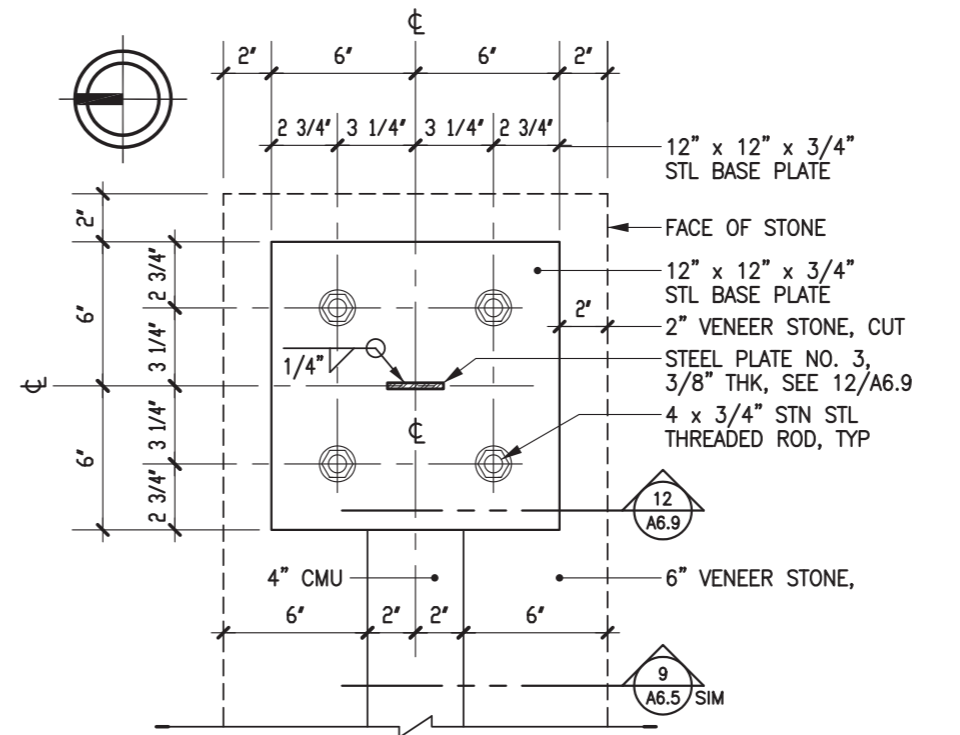
9 STEEL CONNECTOR PLATE DETAILS @ CANTILEVER BRACKET
A6.9 SCALE: 1" = 1'-0"



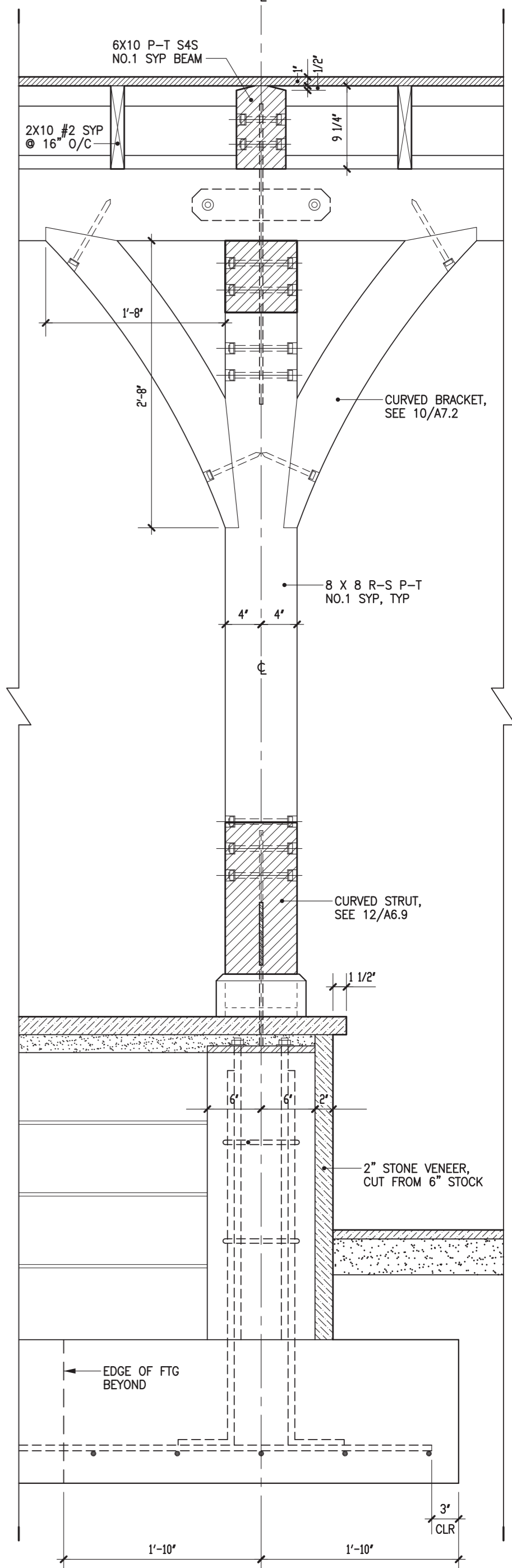
11 PLAN @ 12" X 12" PIER @ CANTILEVERED PORCH
A6.9 SCALE: 1 1/2" = 1'-0"



12 SECTION DETAILS @ CANTILEVERED PORCH - VIEW EAST
A6.9 SCALE: 1" = 1'-0"



14 PLAN @ BASE PLATE @ PIER @ CANTILEVERED PORCH
A6.9 SCALE: 1 1/2" = 1'-0"



15 PARITAL SECTION @ CANTILEVER PORCH - VIEW NORTH
A6.9 SCALE: 1" = 1'-0"